

PROI-2026

IP Camera, Mini Dome, 2.4MP, 1080p,
3.6mm Fixed Lens, BLC, DNR, WDR, ICR

PROIMAGE
REFERÊNCIA EM CFTV IP

Main Characteristics

- ▶ OSD (On Screen Display) Support for, color, brightness, saturation and digital zoom configuration;
- ▶ H.264 video codification, Dual Stream;
- ▶ CCD DIGITAL image sensor, SONY 1/2.9" 2.0 Megapixel, Day/Night;
- ▶ Smart IR: Working distance of 15 meters;
- ▶ 3.6 Mega Pixel Fixed Lens with IR-Cut filter;
- ▶ Wide Dynamic Range (WDR)
- ▶ Remote access for iOS (iPhone) and Android Smartphones;
- ▶ Mini Dome casing type. TCP/IP protocol;
- ▶ Ingress Protection index IP66;
- ▶ 12 IR LEDs.



Learn More

Resolution

Different types of video resolution are found in CCTV. The smaller format resolution are more common in older system whilst the higher resolution are the most modern and are based on TCP/IP. The Full HD 1080p resolution, HD 960 and HD720 High resolution, amongst others are present in PROIMAGE products .



Wide Dynamic Range

WDR is used to provide clear images even when the backlight is bright or when the intensity of illumination is varied or when in there are simultaneously both bright areas and dark areas in the field of view. This function allows the image system to make corrections in the intensity of light around the scene and thus enhance the capacity of distinguishing better the characteristics and forms of the objects.



TECHNICAL SPECIFICATIONS

Model	PROI-2026
On board Technology	
Processor	HiS
Operational System	Embedded Linux
Access Interface	BROWSER, and PROIMAGE CMS/VMS
Camera Hardware	
Sensor	1/2.9 " 2.0MPixel CCD Sony Image Sensor
Sensitivity (illumination)	0 Lux: Black and White with IR active. 0,05 Lux: color
Shutter	1-1 / 10000s (adjustable)
Signal to noise ration	>50db
Video modes	Color and Black and White
Window Blanking (privacy mode)	Available - Up to 2 (two) regions
IR - Infra Red range	15 meters
IR - Smart Infra Red	Available
Day & Night modes	Available - Auto ICR with automatic filter shutter both color and Black and White
AGC - Automatic Gain Control	Available
BLC - Back Light Compensation	Available On-Off
WDR - Wide Dynamic Range	Available
Flicker Control	-
DNR - Digital Noise Reduction	Available
2D DNR - Digital Noise Reduction	Available - Adjustable
3D DNR - Digital Noise Reduction	Available - Adjustable
WB (White Balancing)	Available - Automatic and Manual
Video	
Bit rate	32kbps to 60000kbps
Frame Rate	1 a 30 fps (frames per second) Adjustable
Rate Control	CBR (Standard) and VBR
Maximum image size	1920x1080
Scanning System	Progressive Scan
Image Compression	H.264/MJPEG
Video modes supported	NTSC and PAL
Dual Stream	Primary Stream: 1.0 MP, 2.0 MP, 1920x1080 Secondary Stream: VGA, 640x480 (Used by video analytics)
Lens	
Focal distance	3.6mm
Lens control	Fixo
Lens type	C/CS (Optional DC)
Digital Zoom	4x
Network	
Connection	TCP/IP communication - RJ45 Ethernet port socket (10M/100M)
Domain Name Service	Available - NoIP, DynDNS
Product Protocols	TCP/IP, HTTP, DHCP, FTP, DNS, DDNS, RTSP, NTP, SMTP, ONVIF
Browser	IE® - Internet Explorer, Chrome®(IE TAB*), Mozilla Firefox® (IE TAB*) (compatibility may change regarding specific browser release and 32/64 bits system)
P2P	Available
QR Code Remote Connection	-
Cloud Based Storage	Available - must arrange third party solutions
Events and Remote Backup	Ftp Server, NVR, Local and SMTP
Onvif	Available - version 2.4
Operational functionality	
Camera Language	Portuguese, English, Spanish, Chinese.
Camera Name on Display (OSD)	Available (up to 10 characters)
Color controls and adjustments	Brightness, Contrast, Saturation and crispness
Movement detection by video	Available - On/Off - Adjustable sensitivity
Mirror image function	Available
OSD Text	Available
Date on Display	Available
Programmed Reboot	Available
User administration by access levels	Available - must enroll operators, administrators and guests. Up to 10 users
Time synchronization	Manual, computer synchronization and SNTP server
Firmware updates	Available through Web browser

Smartphone Operational System supported	Android (Google) and iOS (Apple)
Video Management Software	FRREIP / PROIMAGE-DGUARD

Power Supply

Type of connection	P4 (When powered with DC 12V ±5%) or Ethernet RJ45 (When connected via PoE - Power over Ethernet) Maximum
Maximum current consumption	2.4Ah
Maximum power consumption	< 8W
Voltage	Voltage: DC 12V ±5% or PoE Power over Ethernet DC 48 V (OPTIONAL)
Power cable and UPT (Cat5/6e)	* It is recommended the use of approved and certified products.
Surge protection	* It is recommended the use of surge protection, if not already available.

Environmental working conditions

Operation temperature range	-30°C~60°C
Humidity	10% -90% Relative Humidity (non condensing)

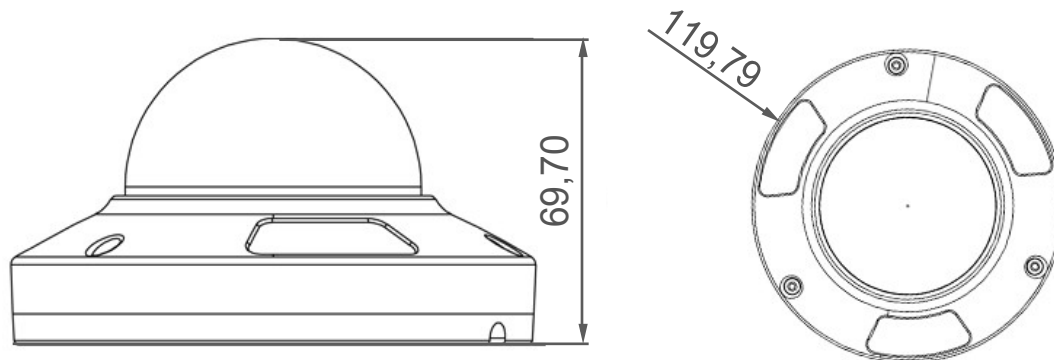
Casing

Model	Mini Dome
Ingress Protection index	IP66
Base Material	Metal
Case Color	White
Size (L x H)	119,79mm X 69,70mm
Cable Gland	-
Warranty	01 (one) year

For further information / specifications visit: www.proimagebrasil.com.br

*Recommendations

Product and box sizes



Homologation



Related Products



The perfect functioning of Proimage products require technically qualified workmanship for installation and integration.