

PROI-0504

IP Camera, Bullet, 2.4MP, 1080p, 2.8-12mm Fixed Varifocal Lens, WDR, BLC, DNR, ICR

PROIMAGE
REFERENCE IN CCTV-IP



Main Characteristics

- ▶ OSD (On Screen Display) Support for, color, brightness, saturation and digital zoom configuration;
- ▶ H.264 Level 3.0 video codification. Dual Stream;
- ▶ CCD DIGITAL image sensor, MEGA PIXEL 1/2.8" 2.4 Megapixel, Day/Night;
- ▶ Smart IR: Working distance of 60 meters;
- ▶ 2.8-12mm Varifocal Mega Pixel Lens with IR-Cut filter;
- ▶ Wide Dynamic Range (WDR)
- ▶ Remote access for iOS (iPhone) and Android Smartphones;
- ▶ P2P network support;
- ▶ Bullet casing type. TCP/IP protocol;
- ▶ Ingress Protection index IP66;
- ▶ IP66 cable glands;

2.4 MP
 1080P
 CCD
 DAY/NIGHT
 DNR
 WDR
 IR 60M
 BLC
 Automatic Gain Control
 POE
 IP66

LEARN MORE

ONVIF

FULL HD 1080P 1920x1080p
 HD 960P 1280x960p
 HD 720P 1280x720p
 2CIF 704x240p
 CIF 352x240p
D1 704x480p

Resolution

Different types of video resolution are found in CCTV. The smaller format resolution are more common in older system whilst the higher resolution are the most modern and are based on TCP/IP. The Full HD 1080p resolution, HD 960 and HD720 High resolution, amongst others are present in PROIMAGE products.

WDR OFF **WDR ON**

Wide Dynamic Range

WDR is used to provide clear images even when the backlight is bright or when the intensity of illumination is varied or when in there are simultaneously both bright areas and dark areas in the field of view. This function allows the image system to make corrections in the intensity of light around the scene and thus enhance the capacity of distinguishing better the characteristics and forms of the objects.

TECHNICAL SPECIFICATIONS

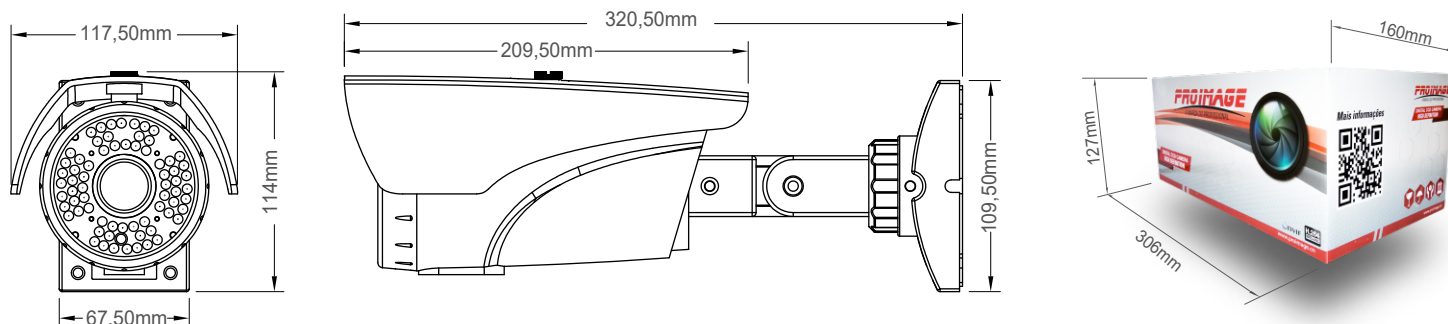
Model	PROI-0504v2
On board Technology	
Processor	HiS
Operational System	Embedded Linux
Access Interface	BROWSER, HEROSPEED and PROIMAGE CMS/VMS
Camera Hardware	
Sensor	1/2.8 " 2.43MPixel CCD Sony Image Sensor
Sensitivity (illumination)	0 Lux: Black and White with IR active. 0,05 Lux: color
Shutter	1-1 / 10000s (adjustable)
Signal to noise ration	>50db
Video modes	Color and Black and White
Window Blanking (privacy mode)	Available - Up to 3 (three) regions
IR - Infra Red range	60 meters
IR - Smart Infra Red	Available
Day & Night modes	Available - Auto ICR with automatic filter shutter both color and Black and White
AGC - Automatic Gain Control	Available
BLC - Back Light Compensation	Available On-Off
WDR - Wide Dynamic Range	Available
Flicker Control	Available
DNR - Digital Noise Reduction	Available
2D DNR - Digital Noise Reduction	Available - Adjustable
3D DNR - Digital Noise Reduction	Available - Adjustable
WB (White Balancing)	Available - Automatic and Manual
Video	
Bit rate	64kbps to 12000kbps
Frame Rate	1 a 30 fps (frames per second) Adjustable
Rate Control	CBR (Standard) and VBR
Maximum image size	1920x1080
Scanning System	Progressive Scan
Image Compression	H.264/MJPEG
Video modes supported	NTSC and PAL
Dual Stream	Primary Stream: 2.4 MP, 1920X1080 Secondary Stream: VGA, 640x480 (Used by video analytics)
Lens	
Focal distance	2.8-12mm
Lens control	Manual zoom and focus
Lens type	C/CS (Optional DC)
Digital Zoom	15x
Network	
Connection	TCP/IP communication - RJ45 Ethernet port socket (10M/100M)
Domain Name Service	Available - NoIP, DynDNS
Product Protocols	TCP/IP, HTTP, DHCP, FTP, DNS, DDNS, RTSP, NTP, SMTP, ONVIF
Browser	IE® - Internet Explorer, Chrome®(IE TAB*), Mozilla Firefox ® (IE TAB*) (compatibility may change regarding specific browser release and 32/64 bits system)
P2P	Available
QR Code Remote Connection	Available
Cloud Based Storage	Available - must arrange third party solutions
Events and Remote Backup	Ftp Server, NVR, Local and SMTP
Onvif	Available - version 2.4
Operational functionality	
Camera Language	English, Portuguese, French, German, Spanish, Italian, Chinese, Russian, Polish, Czech, Romanian, Serbian, Swedish, Danish, Turkish
Camera Name on Display (OSD)	Available (up to 10 characters)
Color controls and adjustments	Brightness, Contrast, Saturation and crispness
Movement detection by video	Available - On/Off - Adjustable sensitivity
Mirror image function	Available
OSD Text	Available
Date on Display	Available
Programmed Reboot	Available
User administration by access levels	Available - must enroll operators, administrators and guests. Up to 12 users
Time synchronization	Manual, computer synchronization and SNTP server
Firmware updates	Available through Web browser

TECHNICAL SPECIFICATIONS

Smartphone Operational System supported	Android (Google) and iOS (Apple)
Video Management Software	FRREIP / PROIMAGE-DGUARD
Power Supply	
Type of connection	P4 (When powered with DC 12V ±5%) or Ethernet RJ45 (When connected via PoE - Power over Ethernet) Maximum
Maximum current consumption	1.150 mA
Maximum power consumption	13.8W - 802.3at
Voltage	Voltage: DC 12V ±5% or PoE Power over Ethernet DC 48 V (OPTIONAL)
Power cable and UPT (Cat5/6e)	* It is recommended the use of approved and certified products.
Surge protection	* It is recommended the use of surge protection, if not already available.
Environmental working conditions	
Operation temperature range	-20°C~55°C
Humidity	0% -90% Relative Humidity (non condensing)
Casing	
Model	Bullet (pigtail inside the support bracket)
Ingress Protection index	IP66
Base Material	Metal
Case Color	Dark Gray
Size (L x H)	320.50mm X 117.50mm
Cable Gland	IP66
Warranty	01 (one) year

For further information / specifications visit: www.proimagebrasil.com.br *Recommendations

Product and box sizes



IP66 Cable Glands



Homologation



Related Products



PROI-CMSVMS



PROI-ST04 - NVR 04 CANAIS



PROI-ST08 - NVR 08 CANAIS



PROI-2035 - IP BULLET 2.0MP



The perfect functioning of Proimage products require technically qualified workmanship for installation and integration.